
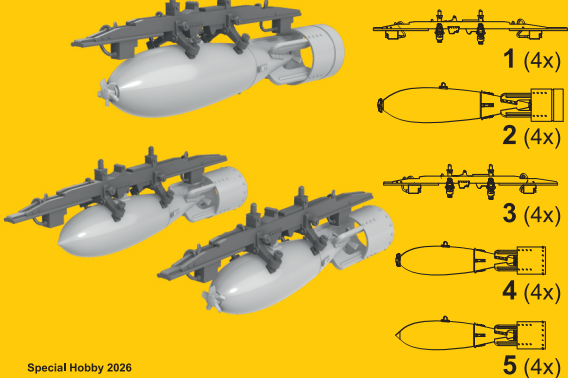


**4512**  
**1/48**

**HP.52 Hampden B.Mk.I**  
**Fuselage Bomb Bay**  
**Ordnance Set**  
(250lb GP, 250lb SAP, 500lb GP Bombs)  
for ICM kits



**3D-Printed Parts**



1 (4x)  
2 (4x)  
3 (4x)  
4 (4x)  
5 (4x)

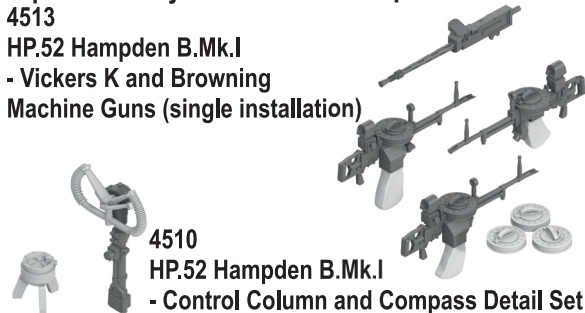
Special Hobby 2026

Resinové díly ohnuté popř. pokroucené vlivem teplotních změn a stárnutí materiálu, mohou být narovnány do požadovaného tvaru pomocí proudu teplé vody nebo vzduchu (fén na vlasy). Ohnuté 3D tisky narovnejte ponořením do horké vody, srovnejte je a zchlaďte studenou vodou. K lepení použít kyanoakrylátové lepidlo!  
Kontaktní plochy doporučujeme před lepením odmastit.  
Různé drátky a tyčinky nejsou přiloženy.

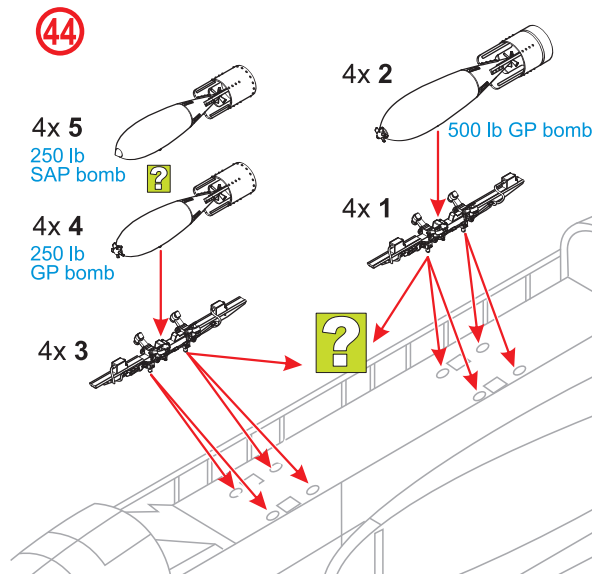
*Parts slightly distorted and bent owing to temperature changes or due to material aging can be straightened to requested shape by hot water or hot air jet (hair dryer). This process can be repeated till result is entirely satisfactory. You can also correct bent 3D printed parts: put them into hot water, straighten them and cool them in cold water. For best result use cyanoacrylate glue! Ungreasing contact areas is recommended before gluing. Wires and rods not included.*

**Special Hobby offer for 1/48 Hampden kit as well**  
**4513**

**HP.52 Hampden B.Mk.I**  
**- Vickers K and Browning**  
**Machine Guns (single installation)**



**4510**  
**HP.52 Hampden B.Mk.I**  
**- Control Column and Compass Detail Set**  
more at [www.specialhobby.eu](http://www.specialhobby.eu)



**Special Hobby offer as well**



**1 Special HOBBY 48**  
**Spitfire Mk.XII**  
against  
V-1 Flying Bomb  
Box contains one 1/48 Spitfire Mk.XII, one 1/48 V-1 Flying Bomb and a common stand...

**1 Special HOBBY 48**  
**Avro Anson Mk.I 'Anti-submarine Annie'**  
SH 48241

more at [www.specialhobby.eu](http://www.specialhobby.eu)