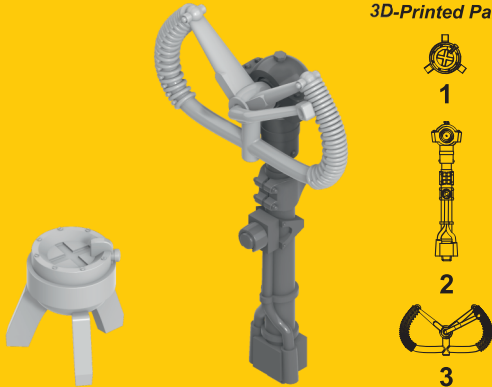


HP.52 Hampden B.Mk.I
4510 Control Column and
1/48 Compass Detail Set
for ICM kits



3D-Printed Parts



Special Hobby 2026

Resinové díly ohnuté popř. pokroucené vlivem teplotních změn a stárnutí materiálu, mohou být narovnaný do požadovaného tvaru pomocí proudu teplé vody nebo vzduchu (fén na vlasy). Ohnuté 3D tisky narovnejte ponořením do horké vody, srovnajte je a zchladte studenou vodou. K lepení použít kyanoakrylátové lepidlo! Kontaktní plochy doporučujeme před lepením odmastit.
 Různé drátky a tyčinky nejsou přiloženy.

Parts slightly distorted and bent owing to temperature changes or due to material aging can be straightened to requested shape by hot water or hot air jet (hair dryer). This process can be repeated till result is entirely satisfactory. You can also correct bent 3D printed parts: put them into hot water, straighten them and cool them in cold water. For best result use cyanoacrylate glue! Ungreasing contact areas is recommended before gluing. Wires and rods not included.

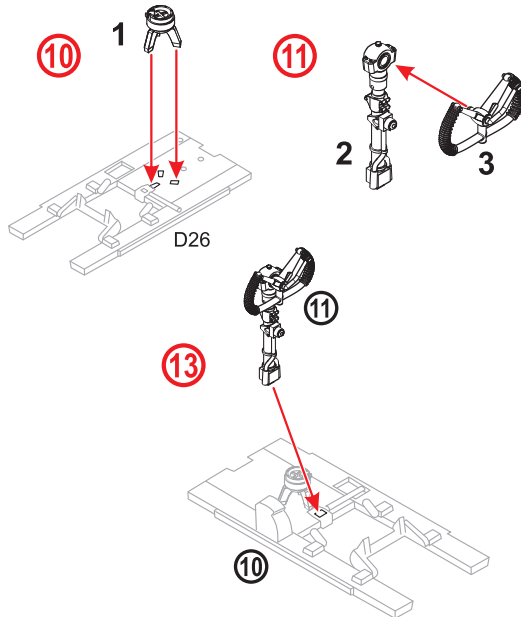
Special Hobby offer for 1/48 Hampden kit as well 4513

HP.52 Hampden B.Mk.I
- Vickers K and Browning
Machine Guns (single installation)

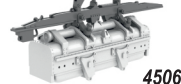


4511
HP.52 Hampden B.Mk.I
- Wing Bomb Ordnance Set
 more at www.specialhobby.eu

Special Hobby offer sets
for 1/48 Lysander (Airfix kit) as well:



4500
Lysander
ASR Equipment



4508
Lysander Twin Browning
machine gun



4506
Vickers K machine gun
(two - with ring/bead
and reflector
gun sights)



4501
Lysander Bomb
Ordnance Set



4509
Lysander Wing Slats
- Outer Sections



more at
www.specialhobby.eu

