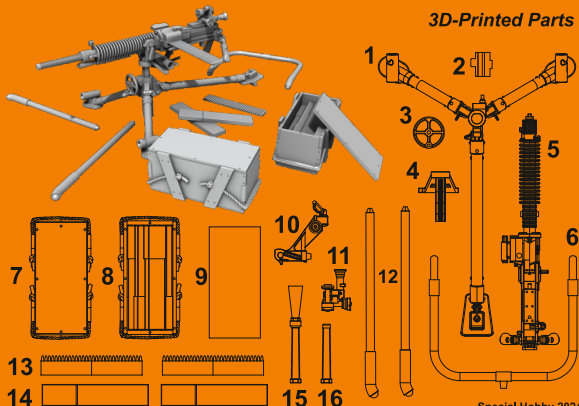


P35028 **Type 92**
1/35 **Japanese Heavy**
 Machine Gun



3D-Printed Parts



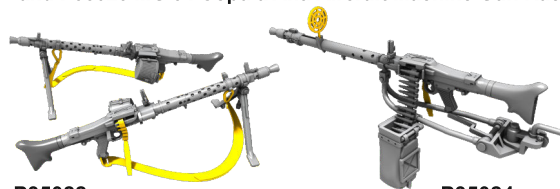
Special Hobby 2024

www.facebook.com/specialhobby/

Ohnuté 3D tisky narovnejte ponořením do horké vody, srovnejte je a zchladte studenou vodou. K lepení použít kyanoakrylátové lepidlo! Kontaktní plochy doporučujeme před lepením odmastit. Různé drátky a tyčinky nejsou přiloženy.

Bent 3D printed parts: put them into hot water, straighten them and cool them in cold water. For best result use cyanoacrylate glue! Ungreasing contact areas is recommended before gluing. Wires and rods not included.

Special Hobby also offers 1/35 3D printed sets
P35022 MG 34/41 German WWII Machine Gun (2 pcs.)
and P35023 MG 34 Copula Anti Aircraft Machine Gun Rack

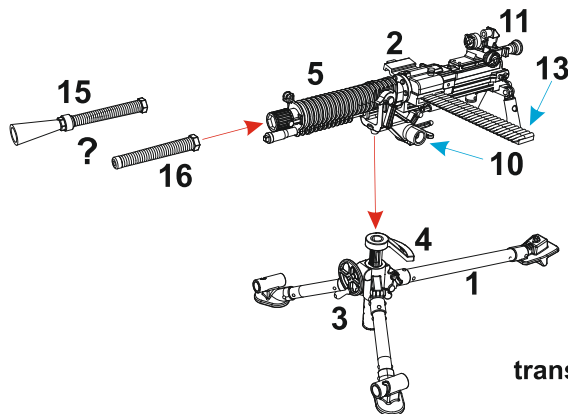


P35022

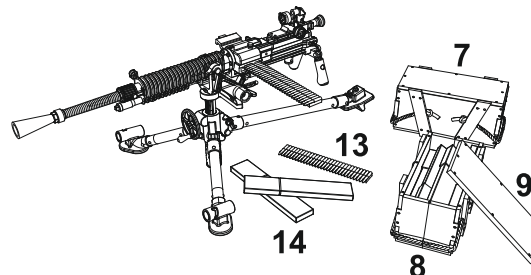
P35024

more at www.specialhobby.eu

Special Hobby, Mezilesí 718, CZ - Praha 9, 193 00, Czech Republic
e-mail: office@specialhobby.eu

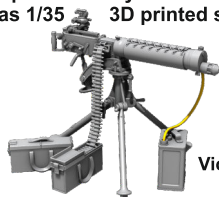


palebná konfigurace / firing configuration



transportní konfigurace / transport configuration

Special Hobby also offers other weapons of the Pacific War as 1/35 3D printed sets:



P35011
M2 Flamethrower

P35026
Vickers Machine
Gun (WWII)

