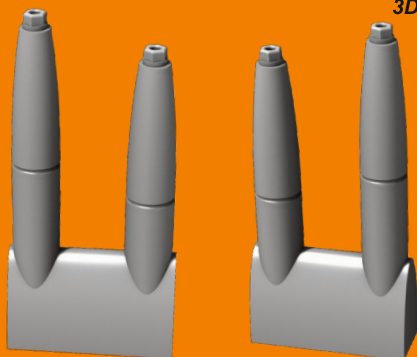


P72009  
1/72

## Tempest Mk.V Early Gun Barrels

for Airfix kit



3D Printed Parts



P1



P2

© Special Hobby 2024

Ohnuté 3D tisky narovnejte ponořením do horké vody, srovnejte je a zchladte studenou vodou. K lepení použít kyanoakrylátové lepidlo! Kontaktní plochy doporučujeme před lepením odmastit. Různé drátky a tyčinky nejsou přiloženy.

*Bent 3D printed parts: put them into hot water, straighten them and cool them in cold water. For best result use cyanoacrylate glue! Ungreasing contact areas is recommended before gluing. Wires and rods not included.*

[www.cmkkits.com](http://www.cmkkits.com)  
[www.specialhobby.eu](http://www.specialhobby.eu)  
[www.facebook.com/specialhobby/](https://www.facebook.com/specialhobby/)

Special Hobby also offers 1/72 3D printed sets  
P72001 Focke Wulf Fw 190A/D Seat  
and P72002 Ju 87D/G Gunner's Seat and MG 81Z  
machine gun

P72001



P72002



Special Hobby, Mezilesí 718, CZ - Praha 9, 193 00, e-mail: [office@specialhobby.eu](mailto:office@specialhobby.eu)

Our range of sets for the 1/72 Tempest Mk.V (Airfix kits) is extensive. We offer not only P72009 Tempest Mk.V Early Guns Barrels, but also other sets:

129-F72402 Tempest Pilot, Dog and Mechanic with Accumulator Trolley

129-P72008 Tempest Mk.V Engine and Fuselage Tanks

129-P72010 Tempest Mk.V Gun Sight and Seat Correction Set

129-P72011 Tempest Mk.V Exhausts

129-Q72413 Tempest/Typhoon Early type Wheels

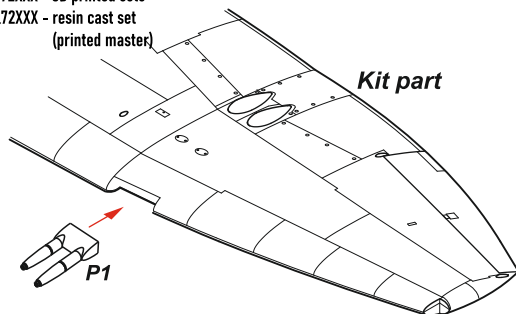
129-Q72414 Tempest Late Type Wheels

Note:

P72XXX - 3D printed sets

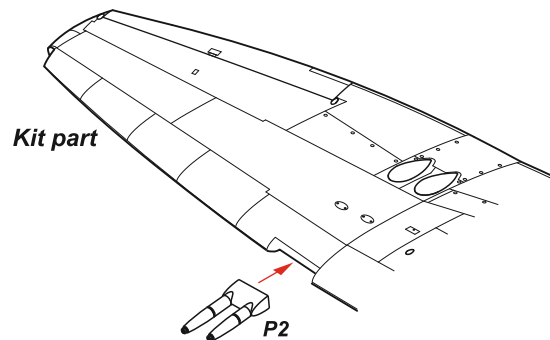
Q72XXX - resin cast set

(printed master)



Kit part

P1



Kit part

P2