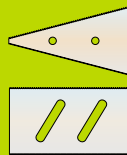
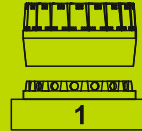


Q72408
1/72

Mirage IIIC Late
Atar 9C Engine Nozzle
for Special Hobby kit



PUR - Polyurethane parts



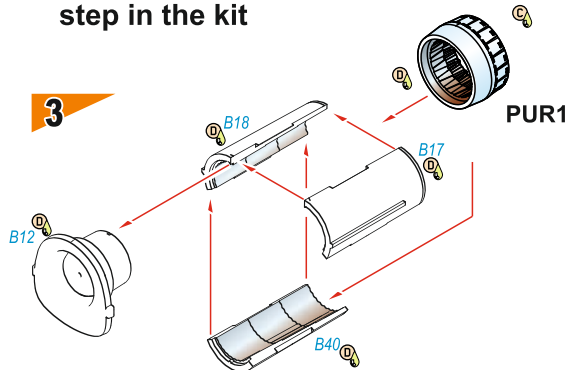
H1020
Razor Saw Profi Set



The set contains
one holder, one
H1018 Triangle Razor
Saw and one H1019
Multi-shift Razor Saw.
Attach the razor blade to
the holder as shown in the
pictures using the plate with
holes and screws.

© Special Hobby 2023

krok ve stavbě
step in the kit



Special Hobby offers for 1/72 Mirage IIIC (SH kit)
CMK sets Q72401 Mirage IIIC Wheels ,
Q72402 Mirage IIIC Atar 9B Engine Nozzle
and Q72403 Mirage IIIC (M.-B. Mk.4) Seat as well



Q72402

Q72401



Q72403

