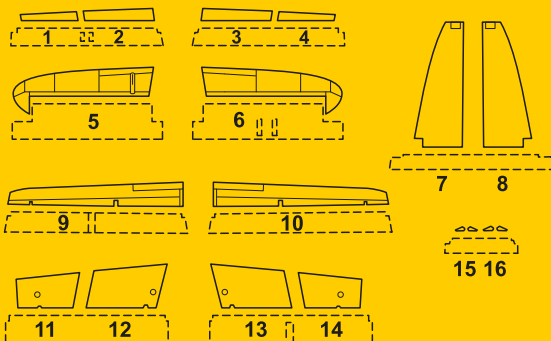


7502
1/72

Mosquito B Mk.XVI
Control Surfaces
for Airfix kit



PUR - Polyurethane parts



© Special Hobby 2022

Díly ohnuté popř. pokroutené vlivem teplotních změn a stárnutí materiálu, mohou být narovnány do požadovaného tvaru pomocí proudu teplé vody nebo vzduchu (fén na vlasy). K lepení použít kyanoakrylátové lepidlo! Kontaktní plochy doporučujeme před lepením odmastit. Různé drátky a tyčinky nejsou přiloženy.

Parts slightly distorted and bent owing to temperature changes or due to material aging can be straightened to requested shape by hot water or hot air jet (hair dryer). This process can be repeated till result is entirely satisfactory. For best result use cyanoacrylate glue! Ungreasing contact areas is recommended before gluing. Wires and rods not included.

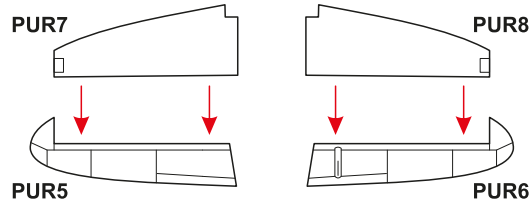
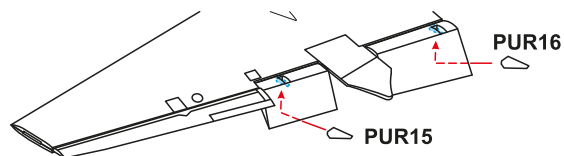
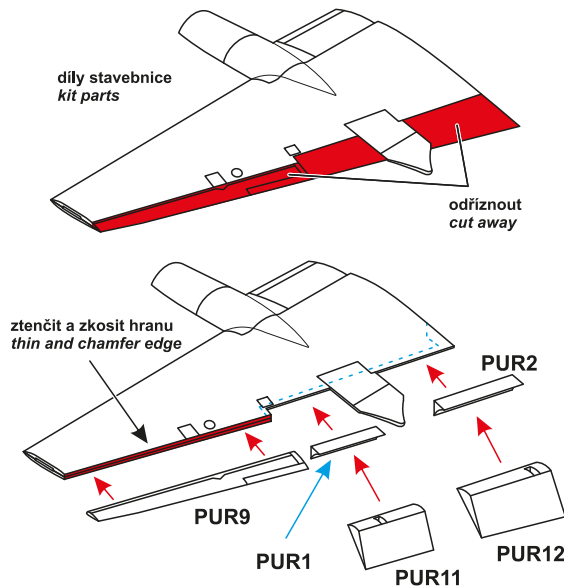
Visit our official website and e-shop at
www.cmkkits.com
www.specialhobby.eu
www.facebook.com/specialhobby/

H1020
Razor Saw Profi Set



The set contains
one holder, one
H1018 Triangle Razor
Saw and one H1019
Multi-shift Razor Saw.
Attach the razor blade to
the holder as shown in the
pictures using the plate with
holes and screws.

sestavte pro levé a pravé křídlo
assemble for left and right wing



Special Hobby offers for Mosquito B Mk.XVI (Airfix kit)
CMK Figures F72378 Mosquito Pilot and Navigator,
CMK sets 7494 Mosquito B Mk.XVI Undercarriage Wheels
and 7495 Mosquito B Mk.XVI Exhausts as well



7494



7495

Special Hobby, Mezilesí 718, Praha 9, 193 00, Czech Republic
e-mail: office@specialhobby.eu