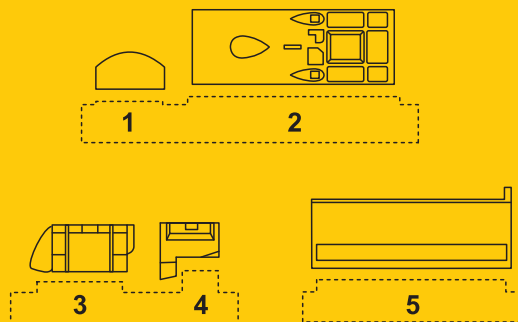


7476
1/72

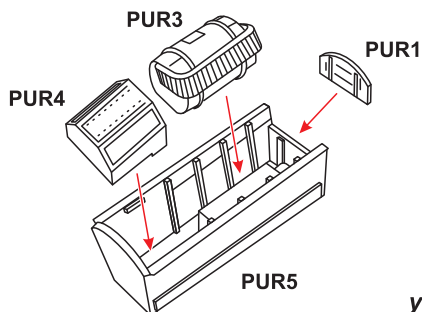
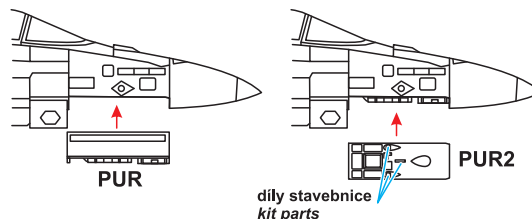
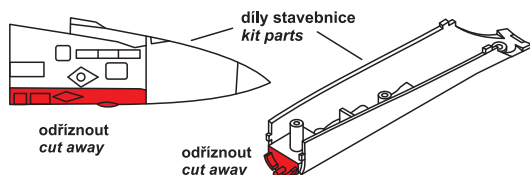
F-18E/F Hornet
Gun Bay
for Academy kit



PUR - Polyurethane parts



© Special Hobby 2021



Other 1/72 F-18E/F Hornet sets
(Academy kit) by CMK line:

129-7475
F-18E Hornet Cockpit

129-7477
F-18E/F Hornet Control Surfaces

you can find
these and other sets
at www.specialhobby.eu

Díly ohnuté popř. pokroucené vlivem teplotních změn a stárnutí materiálu, mohou být narovnány do požadovaného tvaru pomocí proudu teplé vody nebo vzduchu (fén na vlasy). K lepení použít kyanoakrylátové lepidlo! Kontaktní plochy doporučujeme před lepením odmastit. Různé drátky a tyčinky nejsou přiloženy.

Parts slightly distorted and bent owing to temperature changes or due to material aging can be straightened to requested shape by hot water or hot air jet (hair dryer). This process can be repeated till result is entirely satisfactory. For best result use cyanoacrylate glue! Ungreasing contact areas is recommended before gluing. Wires and rods not included.

www.cmkkits.com
www.specialhobby.eu
www.facebook.com/specialhobby/



CMK H1010

The Razor Saw with Handle (cat. n. H1010)
is a great tool for cutting both plastic and resin.
CMK also offers a wide variety
of coarse / medium / fine saws.

Special Hobby, Mezilesí 718, Praha 9, 193 00, Czech Republic
e-mail: office@specialhobby.eu

