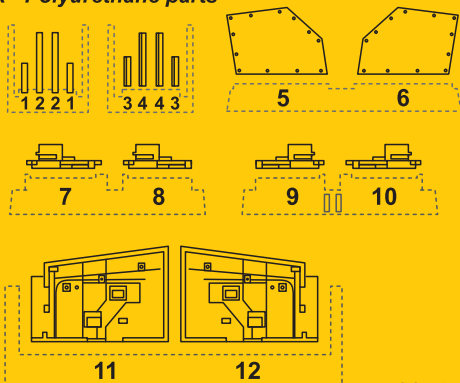


**4419 Gloster Meteor F Mk.8/9  
1/48  
Gun Bays  
for Airfix kits**

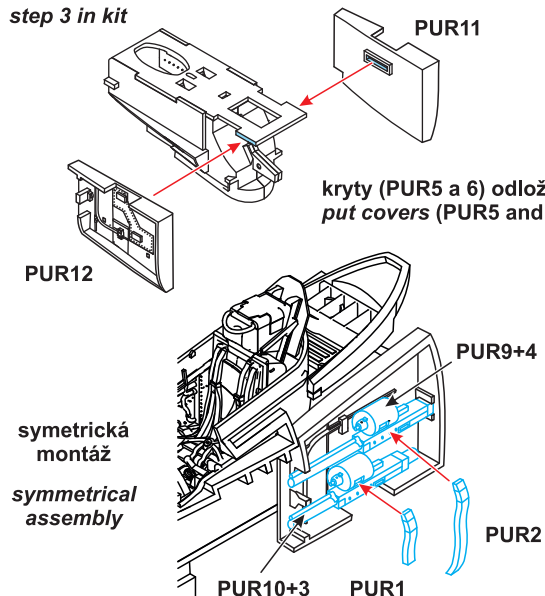


**PUR - Polyurethane parts**



© Special Hobby 2021

**krok 3 ve stavbě  
step 3 in kit**



Díly ohnuté popř. pokroucené vlivem teplotních změn a stárnutí materiálů, mohou být narovnané do požadovaného tvaru pomocí proudu teplé vody nebo vzduchu (fén na vlasy). K lepení použít kyanoakrylátové lepidlo! Kontaktní plochy doporučujeme před lepením odmastit. Různé drátky a tyčinky nejsou přiloženy.

*Parts slightly distorted and bent owing to temperature changes or due to material aging can be straightened to requested shape by hot water or hot air jet (hair dryer). This process can be repeated till result is entirely satisfactory. For best result use cyanoacrylate glue! Ungreasing contact areas is recommended before gluing. Wires and rods not included.*

**Visit our official website and e-shop at  
[www.cmkkits.com](http://www.cmkkits.com)  
[www.specialhobby.eu](http://www.specialhobby.eu)  
[www.facebook.com/specialhobby/](https://www.facebook.com/specialhobby/)**



**OTHER 1/48 SETS / OSTATNÍ SETY 1/48**

**129-4410  
DH.82  
Tiger Moth  
Exterior Set**



**129-4409  
DH.82 Tiger Moth  
Luggage Box**



**129-4411  
DH.82 Tiger Moth  
Mainwheels  
and Tailskid**



**129-4412  
DH.82 Tiger Moth  
Cockpit Entry  
Hatches (4pcs, open)**



**and other sets ...**

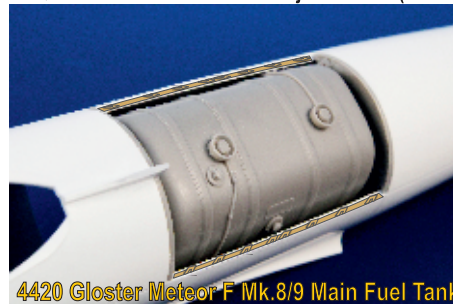
Special Hobby, Mezilesí 718, Praha 9, 193 00, Czech Republic  
e-mail: [office@specialhobby.eu](mailto:office@specialhobby.eu)



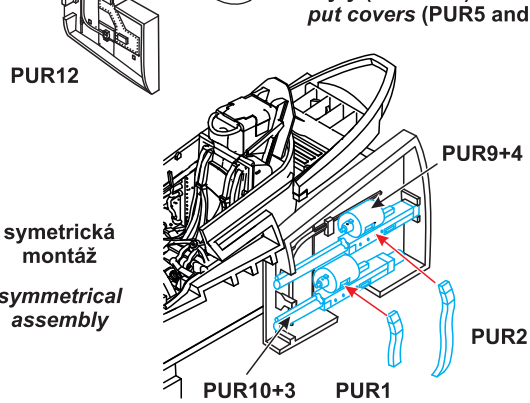
**CMK H1010**

The Razor Saw with Handle (cat. n. H1010)  
is a great tool for cutting both plastic and resin.  
CMK also offers a wide variety  
of coarse / medium / fine saws.

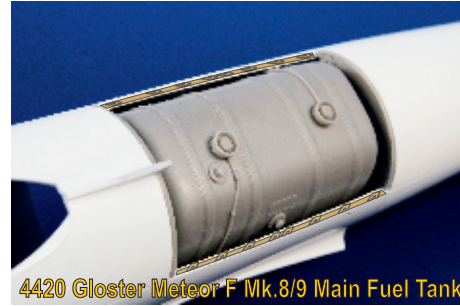
You can upgrade  
your Meteor kits with the following CMK sets:  
**129-4420 Gloster Meteor F Mk.8/9 Main Fuel Tank**  
and **129-Q48388 Gloster Meteor Mk.8/9 Ejection Seat (M.B. Mk.II)**



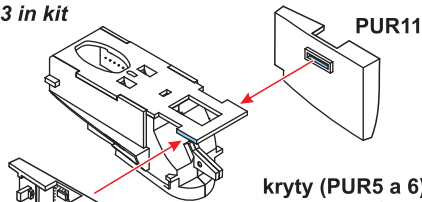
**4420 Gloster Meteor F Mk.8/9 Main Fuel Tank**



You can upgrade your Meteor kits with the following CMK sets:  
129-4420 Gloster Meteor F Mk.8/9 Main Fuel Tank and 129-Q48388 Gloster Meteor Mk.8/9 Ejection Seat (M.B. Mk.II)

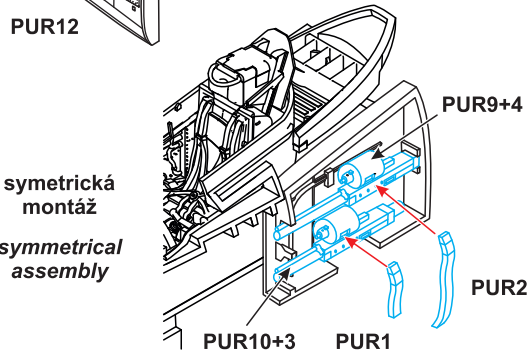


krok 3 ve stavebnici  
step 3 in kit

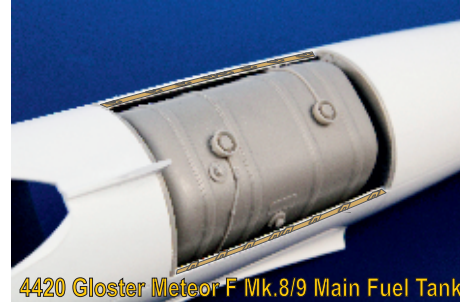


### CMK H1010

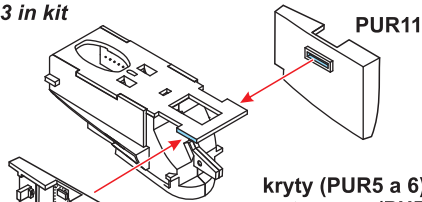
The Razor Saw with Handle (cat. n. H1010) is a great tool for cutting both plastic and resin. CMK also offers a wide variety of coarse / medium / fine saws.



You can upgrade your Meteor kits with the following CMK sets:  
129-4420 Gloster Meteor F Mk.8/9 Main Fuel Tank and 129-Q48388 Gloster Meteor Mk.8/9 Ejection Seat (M.B. Mk.II)



krok 3 ve stavebnici  
step 3 in kit



### CMK H1010

The Razor Saw with Handle (cat. n. H1010) is a great tool for cutting both plastic and resin. CMK also offers a wide variety of coarse / medium / fine saws.



You can upgrade your Meteor kits with the following CMK sets:  
129-4420 Gloster Meteor F Mk.8/9 Main Fuel Tank and 129-Q48388 Gloster Meteor Mk.8/9 Ejection Seat (M.B. Mk.II)

