

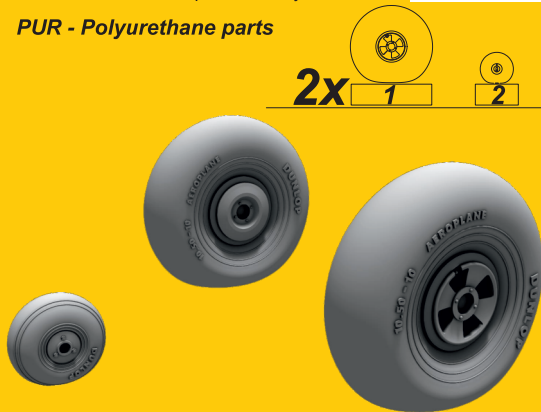
5135
1/32

Westland
Whirlwind Mk.I Wheels
for Special Hobby kit



PUR - Polyurethane parts

2x 1 2



Díly ohnuté popř. pokroucené vlivem teplotních změn a stárnutí materiálu, mohou být narovnány do požadovaného tvaru pomocí proudu teplé vody nebo vzduchu (fén na vlasy). K lepení použít kyanoakrylátové lepidlo! Kontaktní plochy doporučujeme před lepením odmastit. Různé drátky a tyčinky nejsou přiloženy.

Parts slightly distorted and bent owing to temperature changes or due to material aging can be straightened to requested shape by hot water or hot air jet (hair dryer). This process can be repeated till result is entirely satisfactory. For best result use cyanoacrylate glue! Ungreasing contact areas is recommended before gluing. Wires and rods not included.

www.cmkkits.com
www.specialhobby.eu
www.facebook.com/specialhobby/

 We offer for Whirlwind kit as well:

Q32395

Westland Whirlwind Mk.I Gun Barrels



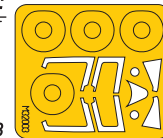
F32373

Westland Whirlwind Mk.I Pilot Climbing in to the Cockpit
5136

Westland Whirlwind Mk.I Nose Gun Bay

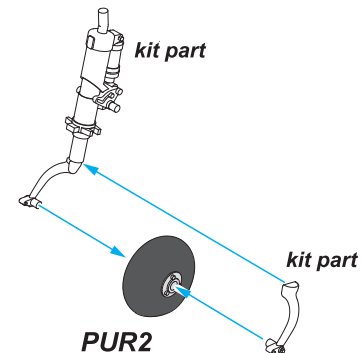
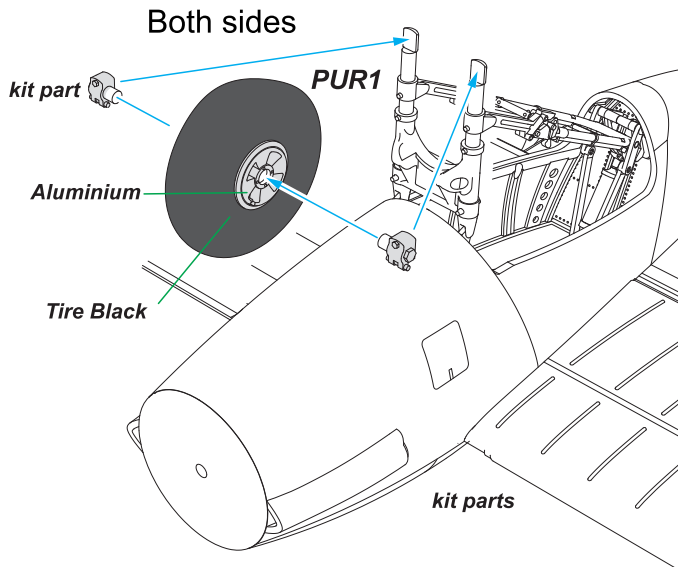
and more at www.specialhobby.eu

Special Hobby, Mezilesí 718, Praha 9, 193 00, Czech Republic
e-mail: office@specialhobby.eu



M32003

Westland Whirlwind Mk.I Mask



Use this!

CMK H1010

The Razor Saw with Handle (cat. n. H1010)
is a great tool for cutting both plastic and resin.

CMK also offers a wide variety
of coarse / medium / fine saws.