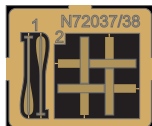


www.facebook.com/specialhobby/

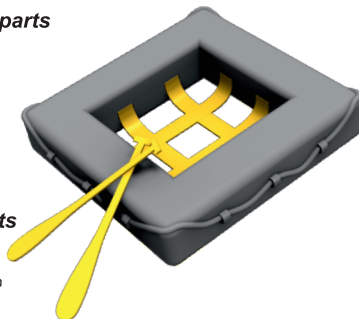
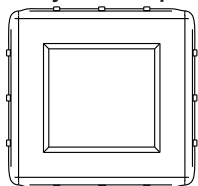
N72037 German Speed Boat Life Raft /
1/72 Schnellboot Rettungsfluss
for Revell kit



PE - Photoetched parts



PUR
- Polyurethane parts



© Special Hobby 2021

Díly ohnuté popř. pokroutené vlivem teplotních změn a stárnutí materiálu, mohou být narovnány do požadovaného tvaru pomocí proudu teplé vody nebo vzduchu (fén na vlasy).

Parts slightly distorted and bent owing to temperature changes or due to material ageing can be straightened to requested shape by hot water or hot air jet. (hair dryer)

This process can be repeated till result is entirely satisfactory.

K lepení použít kyanoakrylátové lepidlo!
Use cyanoacrylate (super) glue!

Kontaktní plochy doporučujeme před lepením odmastit.

It is recommended to ungrease the mating surfaces before assembly.

Visit our official website and e-shop at
www.cmkkits.com
www.specialhobby.eu



Other 1/72 Navy Series Sets

N72025 WW II German Torpedo Type G7e (3 pcs)

N72026 WW II German Torpedo Type G7a (3 pcs)

N72027 Diesel Engine MAN M9V46 for U IXC

N72028 U-Boot VII-IX Ammo and Food Supplies

N72029 U-Boot IX Stern Torpedo w/ Loading Winch and Cart

N72033 PT-109 Boat Life Raft

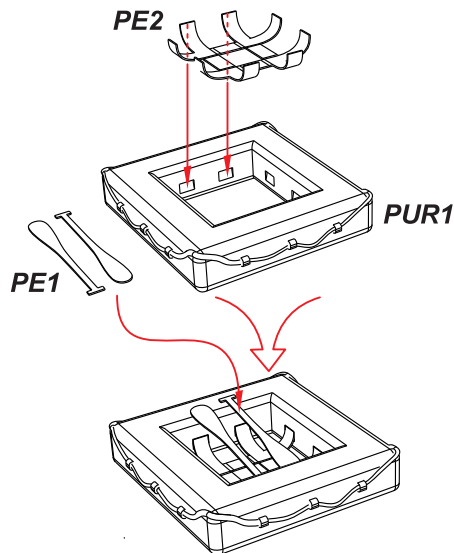
N72034 PT-109 Torpedo Tube Breech Door Set (4pcs)

N72035 PT-109 Boat Mk.6 Depth Charges (2pcs)

N72036 PT-109 Boat Deck Set (Smoke Generator,
Ventilation Funnels)

N72038 German Kriegsmarine Life Raft / Rettungsfluss

Special Hobby, Mezilesí 718, CZ - Praha 9, 193 00, Czech Republic
e-mail: office@specialhobby.eu



CMK H1010

The Razor Saw with Handle (cat. n. H1010)
is a great tool for cutting both plastic and resin.
CMK also offers a wide variety
of coarse / medium / fine saws.

In the CMK product line we also offer resin figures in 1/72:

F72159
German crew for AA gun-3.7
Schnellboot S-100 (3 figures)



F72160
German deck crew for
Revell Schnellboot S-100

