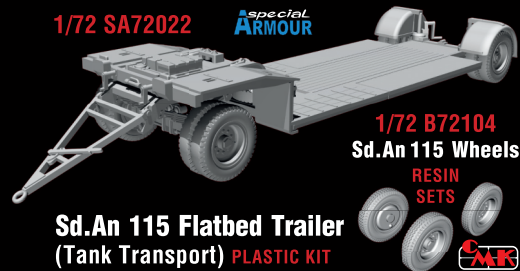




1/72 MV127  
**Zetor 15**  
'Czechoslovak Tractor' ALL RESIN KIT



1/72 SA72022 **special ARMOUR**  
**Sd.An 115 Flatbed Trailer**  
(Tank Transport) PLASTIC KIT



1/72 B72104  
**Sd.An 115 Wheels**  
RESIN SETS



1/72 SA72019 **special ARMOUR**  
**Sd.Kfz 250/1 Ausf. A**  
(Alte Ausführung) PLASTIC KIT



1/72 SA72021 **special ARMOUR**  
**Sd.Kfz 10 Zugkraftwagen 1t**  
(Demag D7) PLASTIC KIT



1/72 SA72012  
**Meiwwagen "V-2 Transporter"**



1/72 SA72001 **special ARMOUR**  
**SS-100 Gigant Schwerer Radschlepper / Heavy Tractor**



1/72 B72100  
**Meiwwagen "V-2 Transporter" Wheels Set**  
for Special Armour kit



1/72 B72094  
**SS-100 Gigant Wheels**  
for Special Armour kit



1/72 B72102  
**Biber Trailer Wheels**  
for Special Armour kit



Odlévaný model / All resin kit

MV125  
1/72

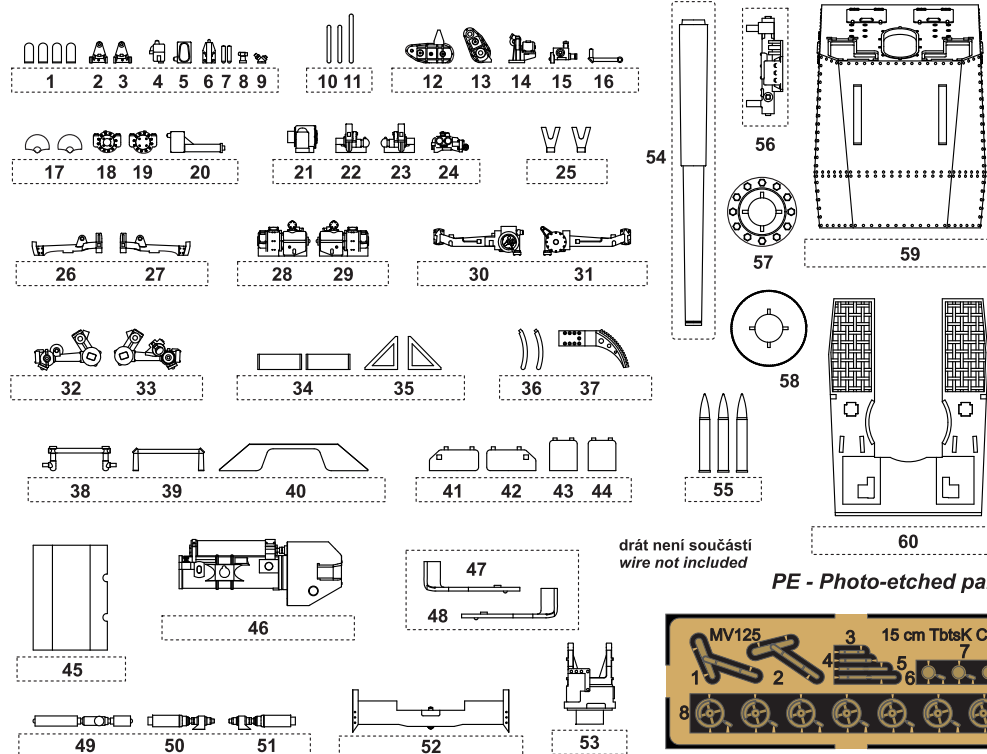
15 cm TbtS K C/36  
'WWII German Destroyer Gun'

Visit our official website and e-shop at

[www.cmkkits.com](http://www.cmkkits.com)  
[www.specialhobby.eu](http://www.specialhobby.eu)

[www.facebook.com/specialhobby](https://www.facebook.com/specialhobby)

PUR - Polyurethane parts



drát není součástí  
wire not included

PE - Photo-etched parts

Díly ohnuté popř. pokroucené vlivem teplotních změn a stárnutí materiálu, mohou být narovnané do požadovaného tvaru pomocí proudu teplé vody nebo vzduchu (fén na vlasy). Různé drátky a tyčky nejsou přiloženy. Kontaktní plochy doporučujeme před lepením odmastit.

Parts slightly distorted and bent owing to temperature changes or due to material ageing can be straightened to requested shape by hot water or hot air jet (hair dryer). This process can be repeated till result is entirely satisfactory. Wires and rods not included. It is recommended to remove grease from contact areas

K lepení použít kyanoakrylátové lepidlo / For best gluing results use cyanoacrylate glue!

SYMBOLS					
	MOŽNOST VOLBY OPTIONAL NACH BELIEBEN OPTION		POUŽÍT KYANOAKRYLÁTOVÉ LEPIDLO INSTANT CYANOACRYLATE GLUE ZYANOAKRYLATKLEBER ADHESIF CYANOACRYLAT		OHNOUT BEND BIEGEN COURBER
	ZHOTOVIT NOVĚ SCRATCH BUILD FERTIGSTELLEN ACHEVER		ŘEZAT/VRTAT CUT OFF/DRILL ENTFERNEN DETACHER		NATŘÍT COLOUR FARBEN PEINDRE
					colours code

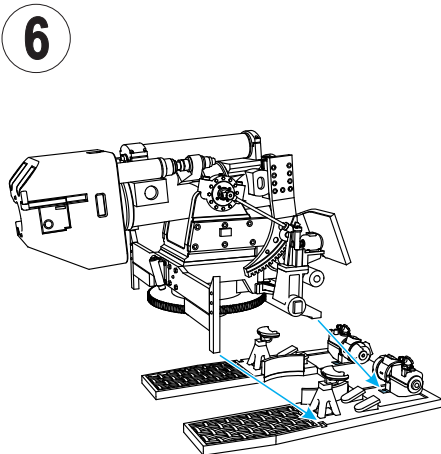
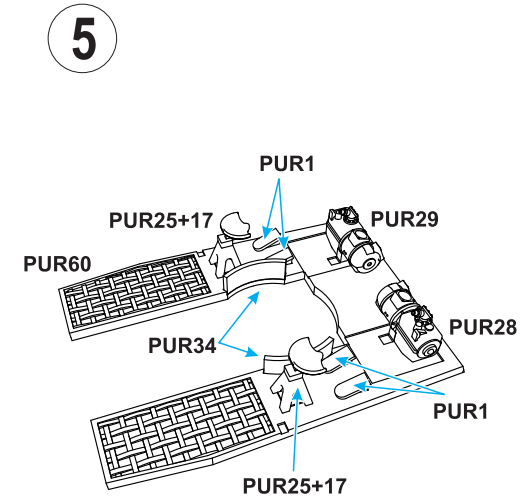
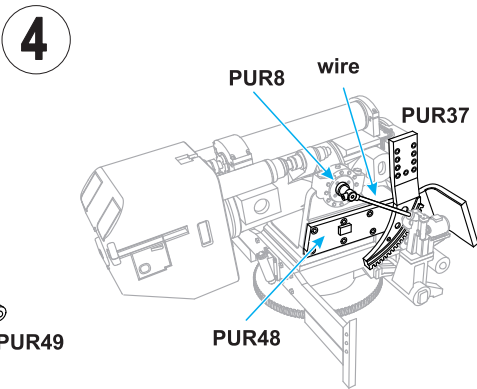
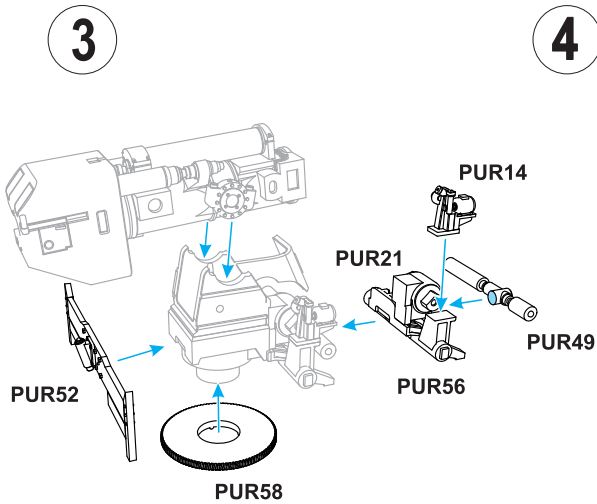
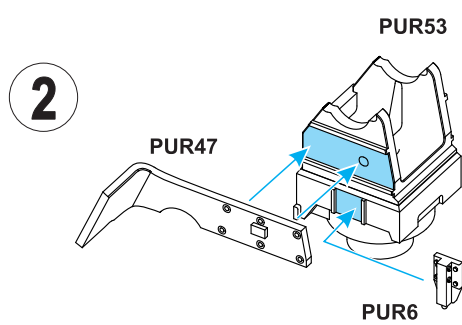
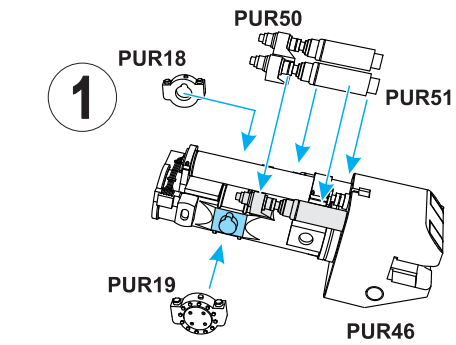


[facebook.com/specialhobby](https://www.facebook.com/specialhobby)

[WWW.SPECIALHOBBY.EU](http://WWW.SPECIALHOBBY.EU) | [WWW.CMKKITS.COM](http://WWW.CMKKITS.COM)



Producer: Special Hobby, Mezilesí 718, 193 00 Praha 9, Czech Republic

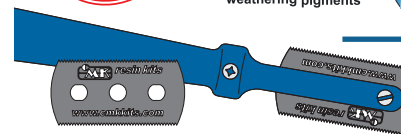


**Special HOBBY**

**Special Hobby recommends to combine the MV125 kit with the resin set N72038 German Kriegsmarine Life Raft / Rettungsfluss. Life rafts were attached to one or both sides of the gun turrets.**

**Use this!**

**Star Dust**  
weathering pigments



**The Razor Saw with Handle (cat. n. H1010) is a great tool for cutting both plastic and resin. CMK also offers a wide variety of coarse/medium/fine saws.**

**H1000** Ultra smooth and extra smooth saw (2 sides – 70 teeth / 42 teeth) 1 pc

**H1001** Ultra smooth saw (both sides – 70 teeth / 70 teeth) 1 pc

**H1002** Very smooth saw (both sides – 42 teeth / 42 teeth) 1 pc

**H1003** Smooth saw (both sides – 31 teeth / 31 teeth) 1 pc

**H1004** Ultra smooth and extra smooth saw (2 sides – 70 teeth / 42 teeth) 5 pcs

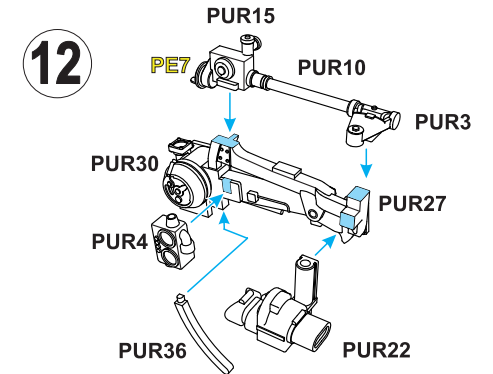
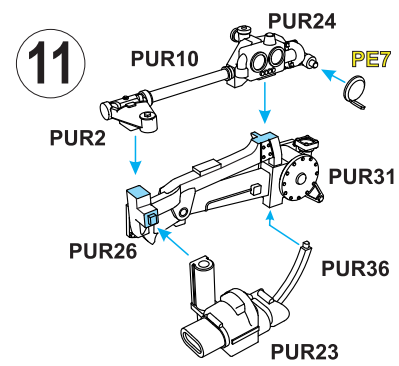
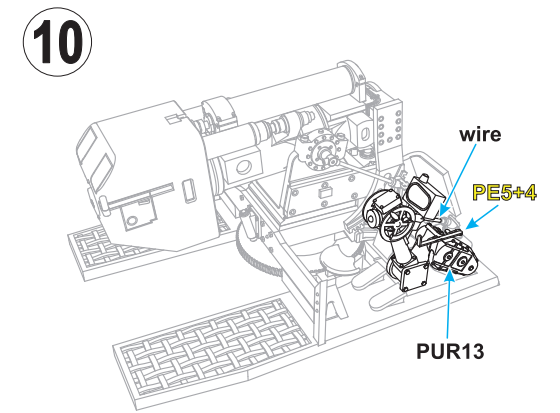
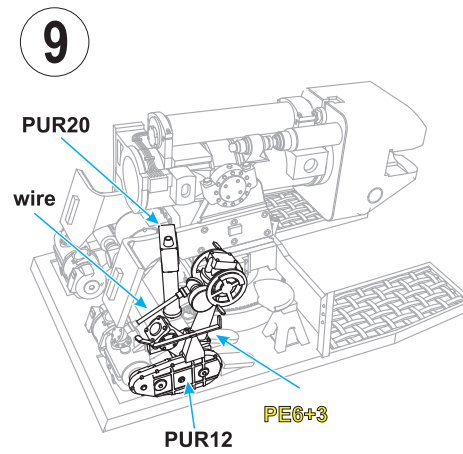
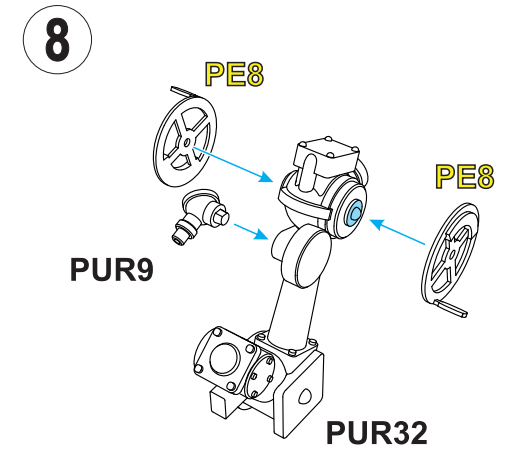
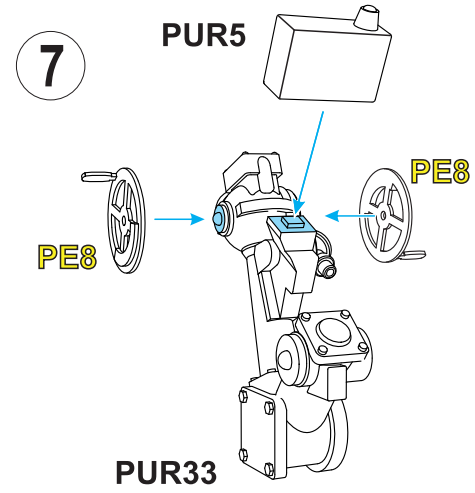
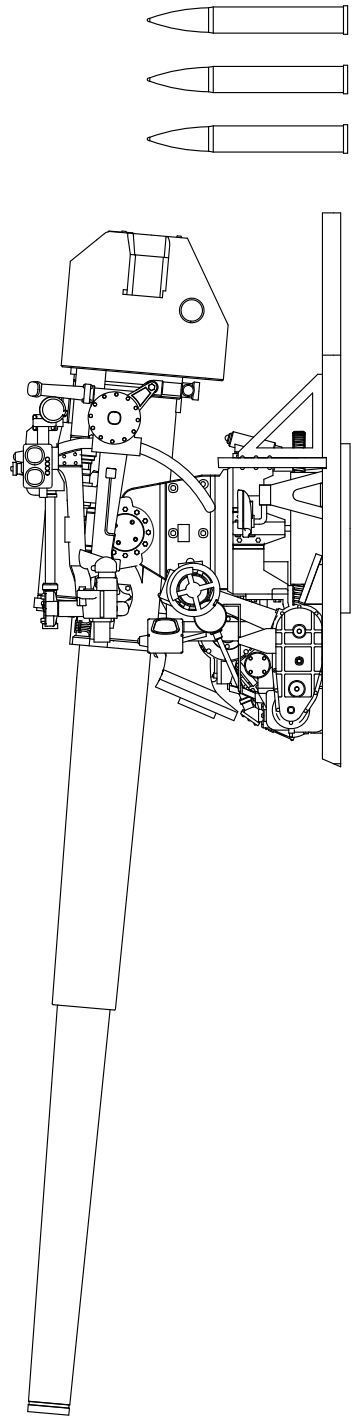
**H1005** Ultra smooth saw (both sides – 70 teeth / 70 teeth) 5 pcs

**H1006** Very smooth saw (both sides – 42 teeth / 42 teeth) 5 pcs

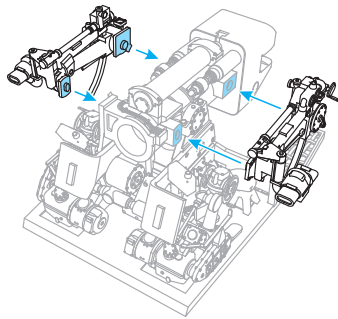
**H1007** Smooth saw (both sides – 31 teeth / 31 teeth) 5 pcs

**H1010** Razor Saw with Handle

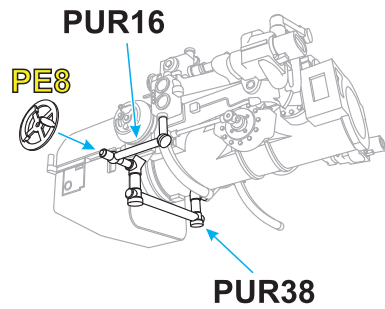




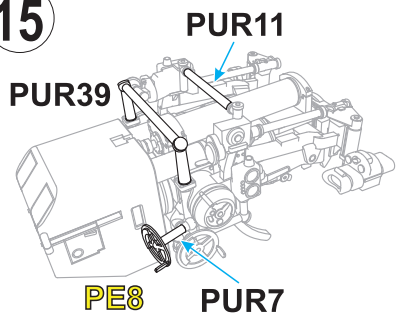
13



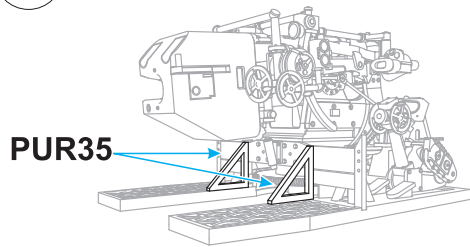
14



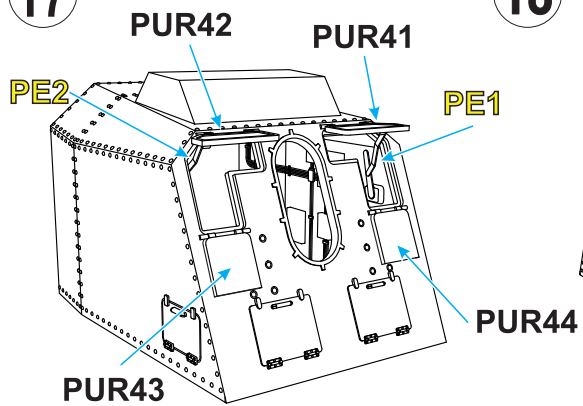
15



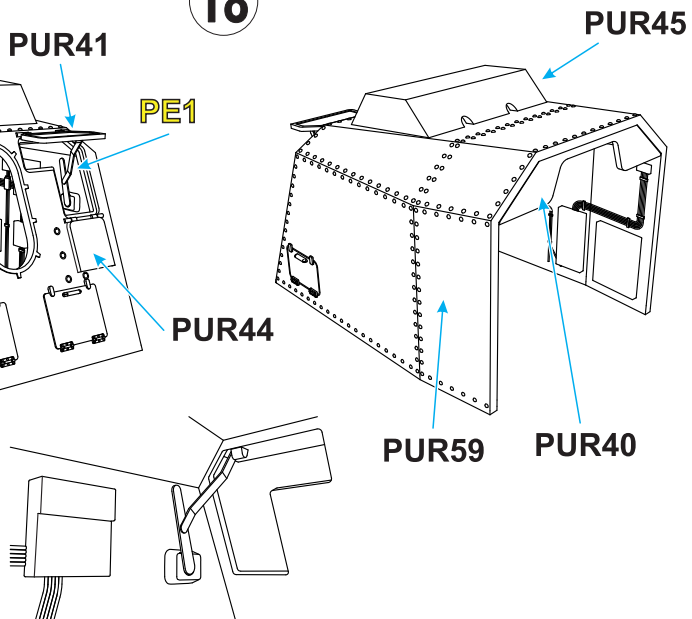
16



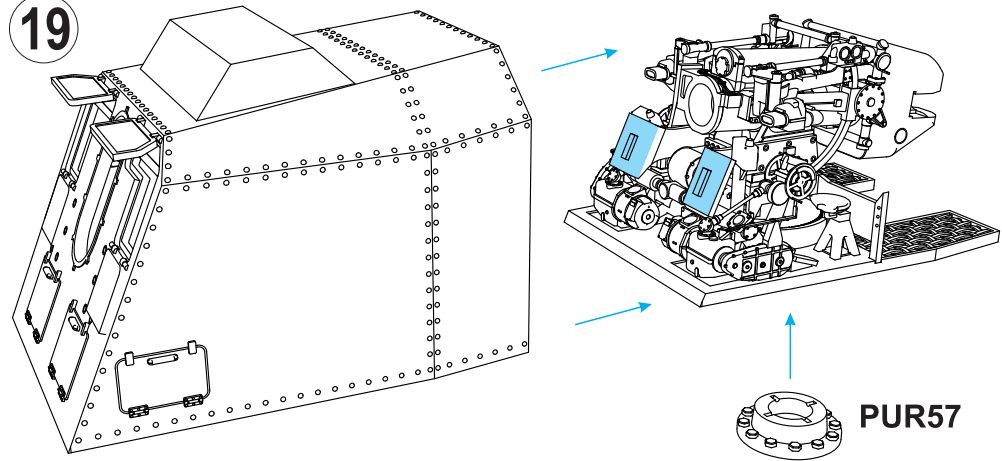
17



18



19



20

