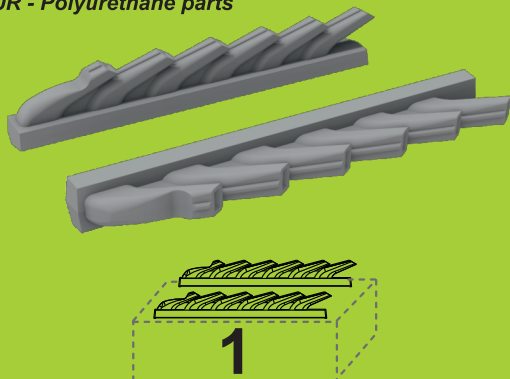


Q72390
1/72

Messerschmitt
Bf 109E Exhaust
for Special Hobby and other kits



PUR - Polyurethane parts



© Special Hobby 2021

Díly ohnuté popř. pokroucené vlivem teplotních změn a stárnutí materiálu, mohou být narovnány do požadovaného tvaru pomocí proudu teplé vody nebo vzduchu (fén na vlasy).

Parts slightly distorted and bent owing to temperature changes or due to material ageing can be straightened to requested shape by hot water or hot air jet. (hair dryer)

This process can be repeated till result is entirely satisfactory.

K lepení použijte kyanoakrylátové lepidlo!

For best result gluing use cyanoacrylate glue!

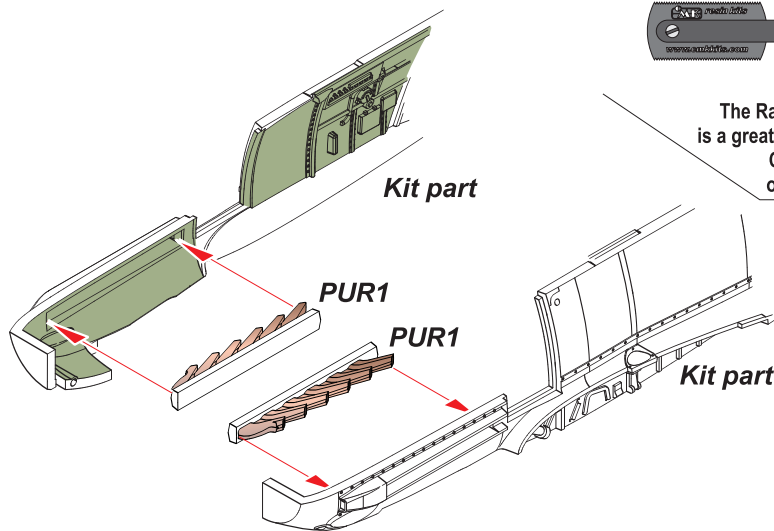
Kontaktní plochy doporučujeme před lepením odmastit

Contact areas ungrease is recommended before gluing.

Visit our official website and e-shop at
www.cmkkits.com
www.specialhobby.eu
www.facebook.com/specialhobby/

- 7426 A-20G/H/K/J Havoc/Boston Mk.IV/V cockpit for SH kit
- 7427 A-20G/H/K/J Havoc/Boston Mk.IV/V Gun Turret for SH kit
- Q72359 A-20 Havoc/Boston Wing Racks and Bombs for SH kit
- 7434 F4F-4 Wildcat Interior for Airfix kit
- 7435 F4F-4 Wildcat Dinghy Set for Airfix kit
- 7437 Beaufighter TF Mk.X Cockpit for Airfix kit
- 7438 Beaufighter TF Mk.X Main Undercarriage Bays Correction for Airfix kit
- 7439 Beaufighter TF Mk.X Dinghy Set for Airfix kit
- Q72361 Heinkel He 162A Ejection Seat for SH kit
- Q72362 Heinkel He 162A Wheels for SH kit

Special Hobby, Mezilesí 718, Praha 9, 193 00, Czech Republic
e-mail: office@specialhobby.eu



CMK H1010

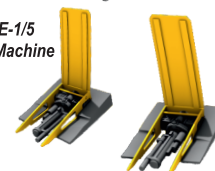
The Razor Saw with Handle (cat. n. H1010)
is a great tool for cutting both plastic and resin.
CMK also offers a wide variety
of coarse / medium / fine saws.

Other CMK sets for 1/72 Special Hobby
Messerschmitt Bf 109E

Q72389
Bf 109E Detailed
Propeller Spinner



7460
Bf 109E-1/5
Wing Machine
Guns



.....and more on www.specialhobby.eu