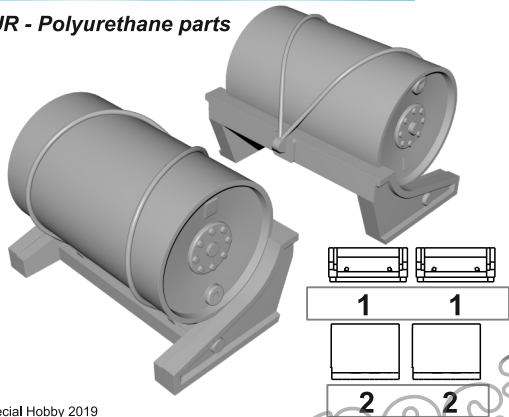


www.facebook.com/specialhobby/

N72035 **PT-109 Boat**
1/72 **Mk.6 Depth Charges (2pcs)**
for Revell kit



PUR - Polyurethane parts



© Special Hobby 2019

Díly ohnuté popř. pokroucené vlivem teplotních změn a stárnutí materiálu, mohou být narovnány do požadovaného tvaru pomocí proudu teplé vody nebo vzduchu (fén na vlasy).

Parts slightly distorted and bent owing to temperature changes or due to material ageing can be straightened to requested shape by hot water or hot air jet. (hair dryer)

This process can be repeated till result is entirely satisfactory.

K lepení použít kyanoakrylátové lepidlo!

Use cyanoacrylate (super) glue!

Kontaktní plochy doporučujeme před lepením odmastit.

It is recommended to ungrease the mating surfaces before assembly.

Visit our official website and e-shop at
www.cmkkits.com
www.specialhobby.eu

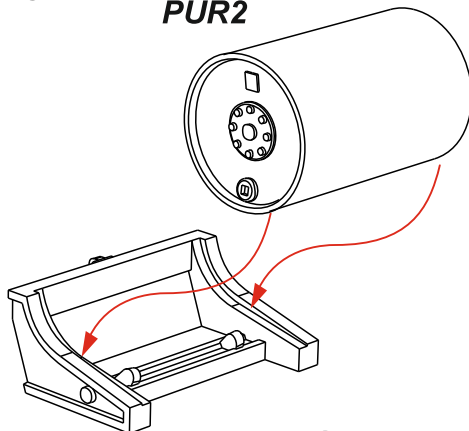


Other 1/72 Navy Series Sets

- N72023 U-Boot IX Flak-Vierling Conversion
- N72024 U-Boot IX Electric Motor section
- N72025 WW II German Torpedo Type G7e (3 pcs)
- N72026 WW II German Torpedo Type G7a (3 pcs)
- N72027 Diesel Engine MAN M9V46 for U IXC
- N72028 U-Boot IX Bow Torpedo w/Loading Winch and Cart
- N72029 U-Boot IX Stern Torpedo w/ Loading Winch and Cart
- N72033 PT-109 Boat Life Raft
- N72034 PT-109 Torpedo Tube Breech Door Set (4pcs)
- N72036 PT-109 Boat Deck Set (Smoke Generator, Ventilation Funnels)

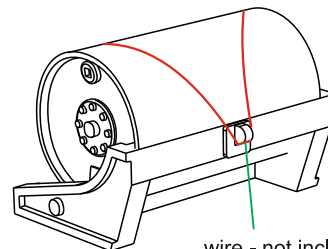
Special Hobby, Mezileší 718, CZ - Praha 9, 193 00, Czech Republic
e-mail: office@specialhobby.eu

PUR2



PUR1

2x



wire - not included
drát - není přiložen

