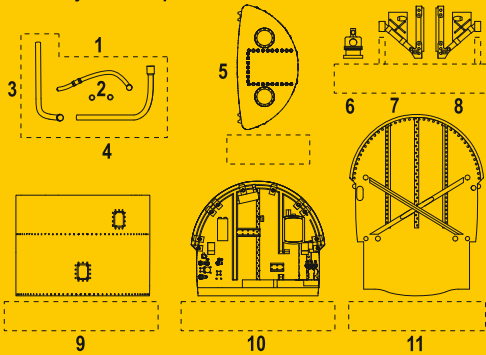


4394  
1/48

**Tempest Fuselage  
Fuel and Oil Tanks**  
set for Eduard kit



PUR - Polyurethane parts



Díly ohnuté popř. pokroucené vlivem teplotních změn a stárnutí materiálu, mohou být narovnaný do požadovaného tvaru pomocí proudu teplé vody nebo vzduchu (fén na vlasy). Různé drátky a tyčinky nejsou přiloženy.  
K lepení použijte kyanoakralátové lepidlo.  
Kontaktní plochy doporučujeme před lepením odmastit.

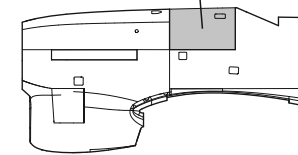
Parts slightly distorted and bended owing to temperature changes or due to material ageing can be straightened to requested shape by hot water or hot air jet (hair dryer). Wires and rods not included.  
For best results gluing use cyanoacrylate glue. Contact areas ungrease is recommended before gluing

Visit our official website and e-shop at  
[www.cmkkits.com](http://www.cmkkits.com)  
[www.specialhobby.eu](http://www.specialhobby.eu)  
[www.facebook.com/specialhobby/](https://www.facebook.com/specialhobby/)

OTHER SETS / OSTATNÍ SETY 1/48

- 4393 Tempest Napier Sabre eng. (upper half) for Eduard kit
- 4382 Blenheim Mk. I Mainwheels for Airfix kit
- 4381 Blenheim Mk. IF Armament for Airfix kit
- 4380 Blenheim Mk. I pilot's and navigator's seats for Airfix kit
- 4379 Blenheim Mk. I/IF Tailwheel with strengthened leg for Airfix kit
- 4378 Blenheim Mk. I/IF Mainwheels Set for Airfix kit
- 4363 Boulton Paul Defiant - Engine set for Airfix kit
- 4364 Boulton Paul Defiant - Cockpit set for Airfix kit
- 4366 Beaufighter T.Mk.X - Cockpit set for Revell kit
- 4359 Antisubmarine Bomb 500lb Mk. VIII
- 4358 Antisubmarine Bomb 250lb Mk. VIII
- 4338 Spitfire Mk. I - Armament set for Airfix kit
- 4337 Spitfire Mk. I - Control Surfaces for Airfix kit

Odstranit / Remove

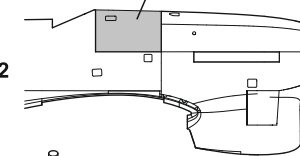


Kit part C1

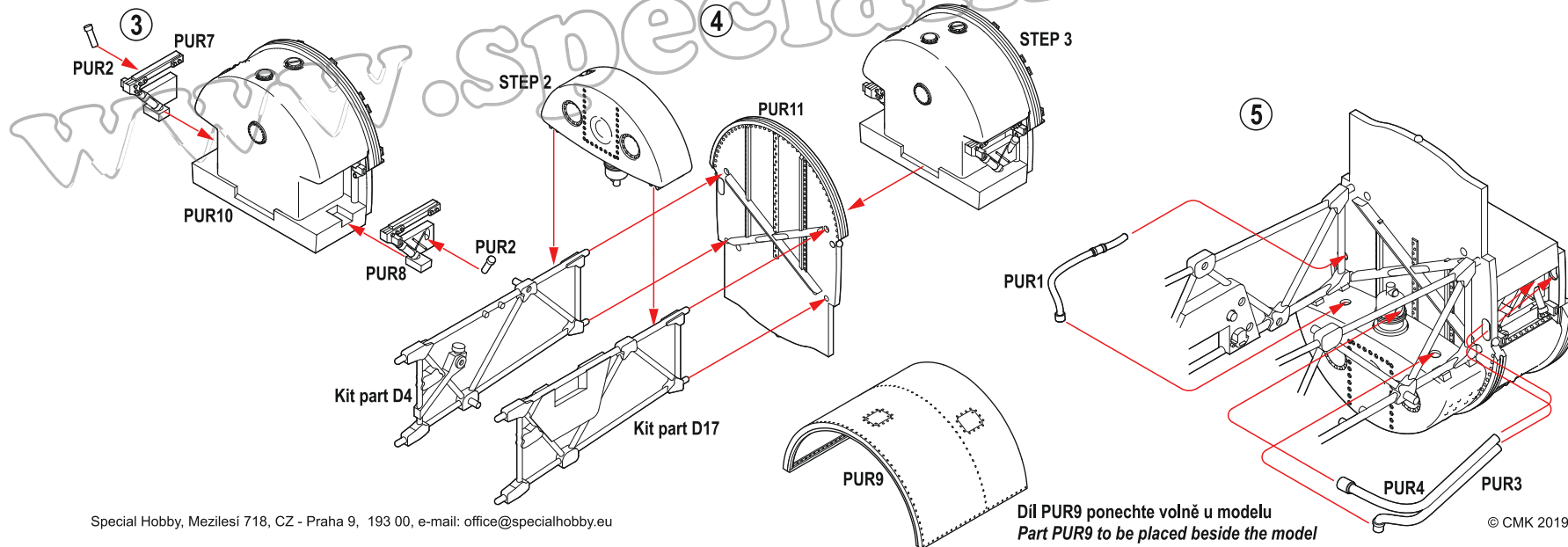
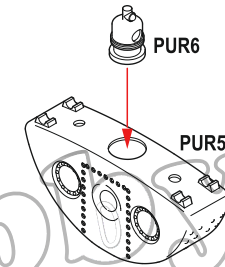
1

Odstranit / Remove

Kit part C2



2



Díl PUR9 ponechte volně u modelu  
Part PUR9 to be placed beside the model

© CMK 2019